

FEEL THE HEAT!

Revision No: 01
 Revision Date: 11/08/2018

RacePace Front Bumper

Part # **01-3801** Textron Wildcat XX Black
 Part # **01-3811** Textron Wildcat XX Gray

Congratulations on your purchase of the DragonFire Race Pace Front Bumper. Your UTV now has front end protection, while also riding in style!!! Be sure to check out the full line of DragonFire Accessories for your Wildcat XX at your local authorized dealer or online at <http://www.DragonFireRacing.com>

WARNING

- Read and understand these instructions before installing product
- This product does not promise front end protection in the event of a collision
- This product is not intended as an anchor point for pulling
- Do not use product if there are any signs of damage

Disclaimer

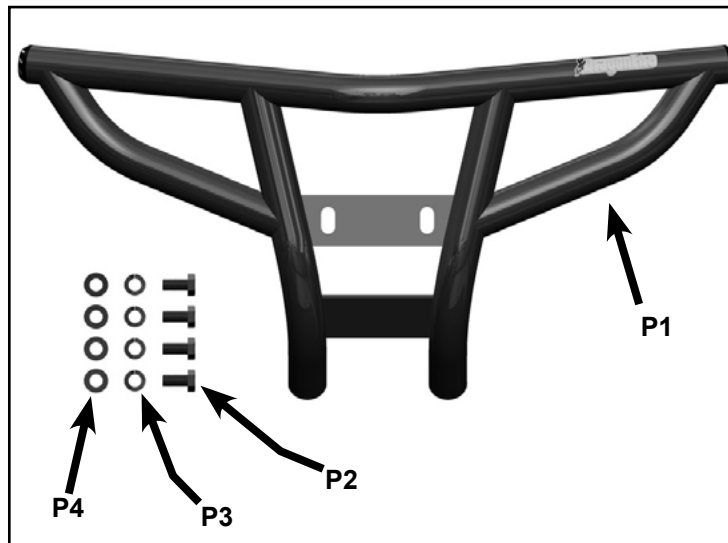
Off road activities can be hazardous and could lead to injury, dismemberment, paralysis and death. No warranty of representation is made as to the products ability to protect the user from any injury or death. The user assumes that risk. The acceptance and /or use of this merchandise purchased from DragonFire by the customer hereby shall release DragonFire from any and all liability pertaining to the use of such merchandise.

Pre-installation: Lay out components and compare to list and images. Images may not portray the full detail or exact shape of the parts; however, they represent parts that have same or similar function.

Refer to DragonFire Racing Website for ensure that you have the latest revision of instructions & templates.

Part & Hardware List					
ITEM	QTY	SIZE	LENGTH	TYPE	STEP USED
P1	1	-	-	Front Bumper	4
P2	4	M12 x 1.25	20mm	Hex Head Bolts	3 & 4
P3	4	M12	-	Split Lock Washer	3 & 4
P4	4	M12	-	Flat Washer	3 & 4

Tools Required
Socket Wrench
19mm Socket

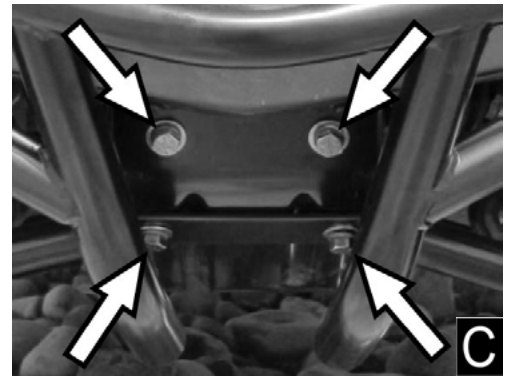
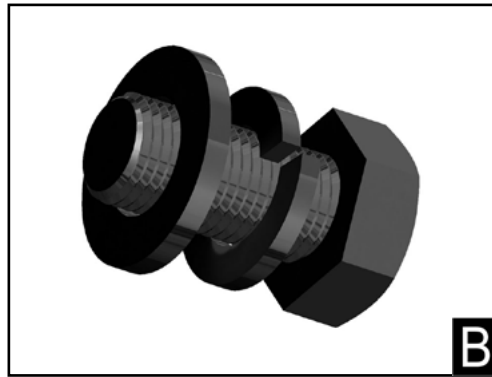
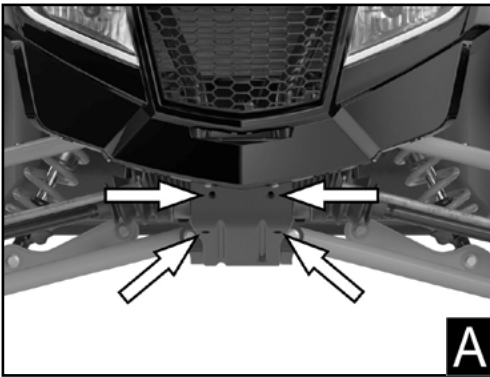


Step 1: Place vehicle on a flat and level surface. Place gear selector in "Park" and remove keys from the ignition.

Step 2: Identify the 4 Mounting points on the front end of the vehicle (Figure A).

Step 3: Place the lock washer [P3] onto the bolt [P2] first, then the flat washer [P4] (Figure B).

Step 4: Install the Front Bumper [P1] by threading the hardware into the mounting points (Figure C). Tighten using the 19mm socket.



Step 5: Torque M12 hardware to 85 ± 10 N-m (63 ± 7 ft-lbs). Figure D shows the properly installed Front Bumper.

Step 6: This completes installation. Time to ride and enjoy!

ProTip: Periodically check all hardware and re-tighten if needed.

For further assistance please contact us at
customerservice@dragonfireracing.com or 1-800-708-9803.

